

Pressure Filters & Screens



AQUA AURA
Leading Technologies

ABG Filters



ABG Filters

Description:

The bag filter with stainless housing and internal bag for heavy duty applications.

- Stainless steel housing
- Interchangeable bags with several filtration degrees
- No mechanical moving parts
- Easy to install, maintain and change bags
- Filtration degree goes down to 1 μm

Alfa Water ABG filters support flow rates of up to 70 m³/h (308 US gpm), with two sizes of bag up to 4500 cm² covering the range of filtration degree between 200 and 1 μm and with inlet/outlet connections sizes: 2" and 3". ABG filter is provided with supporting legs, manual drain valve, manual vent valve and pressure gauges.

ABG filters can be equipped with a magnetic kit to capture any particulate metal present in the water.

Images:



TECHNICAL DATA - DATI TECNICI

Filter size - <i>Taglia filtro</i>	24	45
------------------------------------	----	----

General data - *Dati generali*

Inlet/outlet diameter Diametro connessioni IN/OUT	2" / 3" F threaded or Victaulic	2" / 3" F threaded or Victaulic
Max flow rate Portata massima	38 m ³ /h 167 US gpm	70 m ³ /h 308 US gpm
Max working pressure Pressione massima	10 bar 145 psi	
Filter bag replacement Δp sostituzione sacco	1.7 bar (@ 25 °C) 25 psi (@ 77 ° F)	
Filter bag max allowable Δp Max Δp sacco filtrante	3.5 bar (@ 25°C) 51 psi (@ 77 ° F)	
Filter bag dimension Dimensioni sacco filtrante	Ø178 x L420 mm	Ø178 x L810 mm
Max working temperature Temperatura massima	80 °C 176 °F	

Screen elements - *Elementi filtranti*

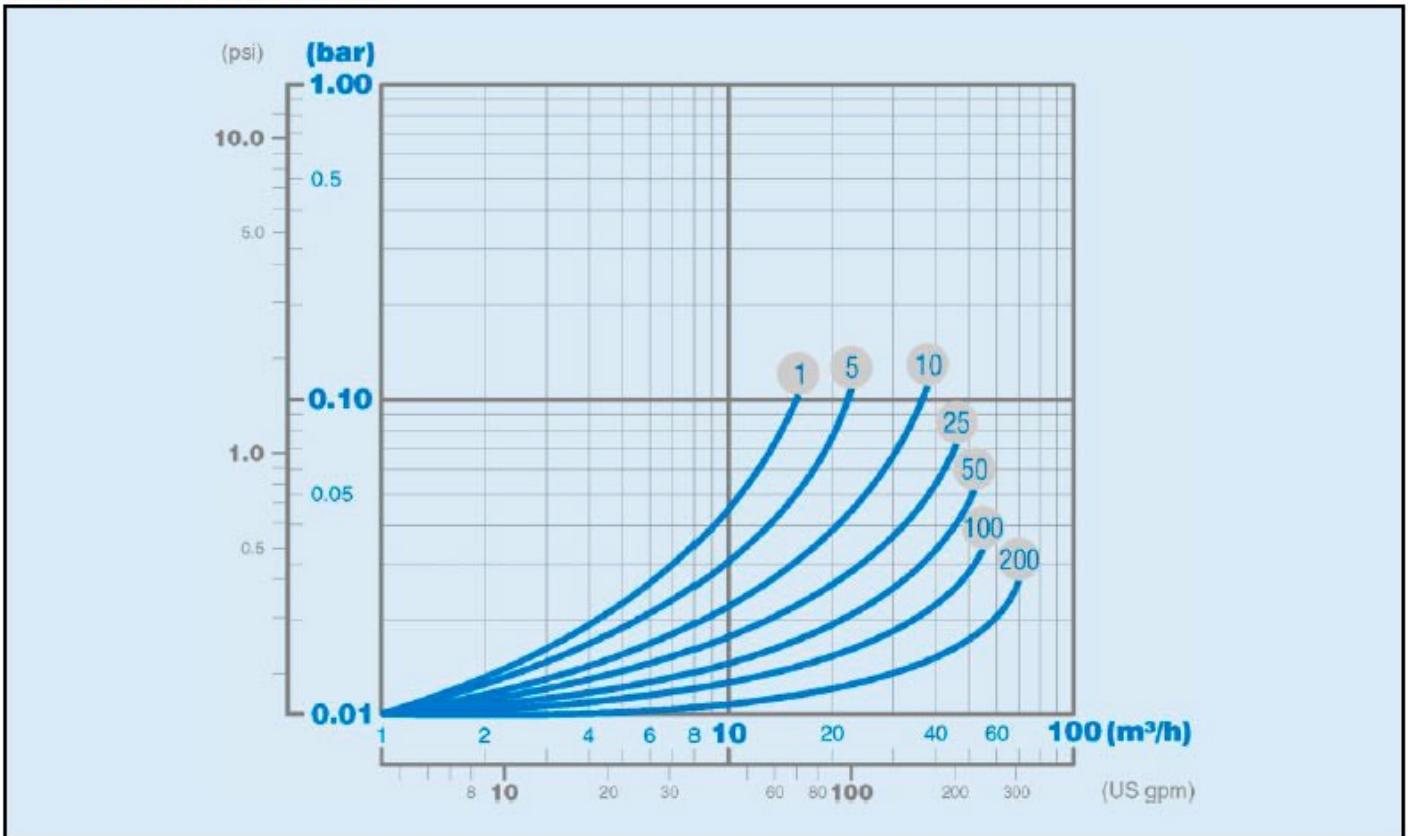
Screen Area Area filtrante	2400 cm ² 372 in ²	4500 cm ² 697 in ²
Filtration degrees Gradi di filtrazione	200 / 100 / 50 / 25 / 10 / 5 / 1 μ m	
Bag Filter Sacco filtrante	Polyester Poliestere	

Materials - *Materiali*

Filter Body Corpo filtro	AISI 304 / AISI 316
Cover Coperchio	AISI 304 / AISI 316
Body support Supporto corpo	AISI 304
Bag support Supporto sacco	AISI 316
Gasket Guarnizioni	EPDM

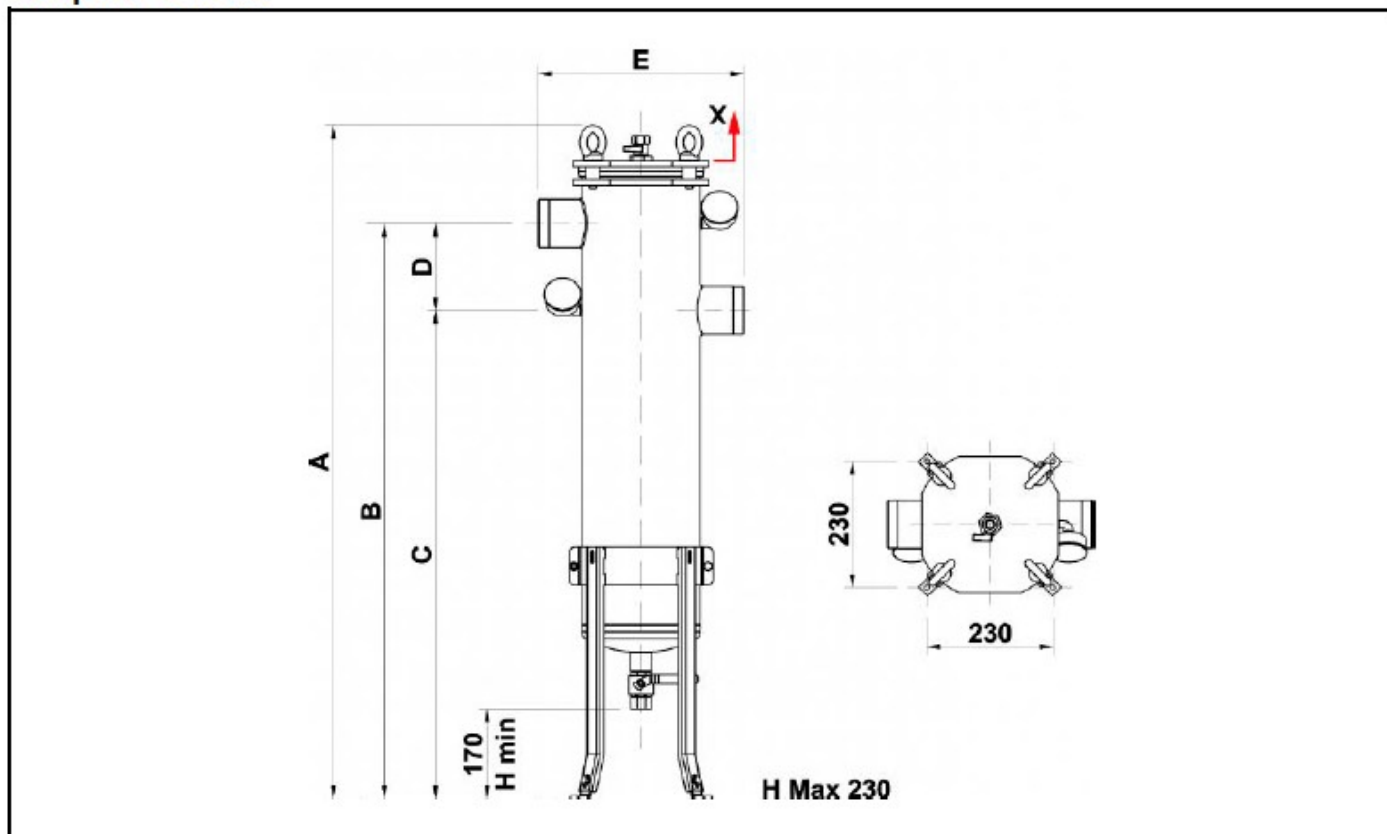
ABG Filters

Head loss - *Perdite di carico*



DIMENSIONS - DIMENSIONI

Shape Z - Forma Z



Filter Model <i>Modello filtro</i>	In/Out Conn.	Drain Conn.	Filter Area [cm ²]	Max Flow rate [m ³ /h]	A [mm]	B [mm]	C [mm]	D [mm]	E [mm]	X [mm]	Weight [Kg]
ABG 24Z2	2" thrdM	1" thrdF	2400	30	860 920	670 730	510 570	160	380	500	25
ABG 24Z3	3" thrdM	1" thrdF	2400	40	860 920	670 730	510 570	160	380	500	25
ABG 45Z2	2" thrdM	1" thrdF	4500	30	1330 1390	1060 1120	900 960	160	380	900	32
ABG 45Z3	3" thrdM	1" thrdF	4500	60	1330 1390	1060 1120	900 960	160	380	900	32

ABG Filters

