



AQUA AURA
Leading Technologies

AHC Filters



AHC Filters

Description:

The liquid-solid separator filter with High Efficiency and low and steady pressure loss.

- High efficiency to remove sand and heavy suspended solids
- No interruption flow
- No filtration screen or internal moving parts
- Zero maintenance
- Very low water loss

Alfa Water AHC filters are centrifugal separator used widely in different industry especially for cooling tower.

It can remove 98% of sand and/or suspended solids size larger than 50 μm .

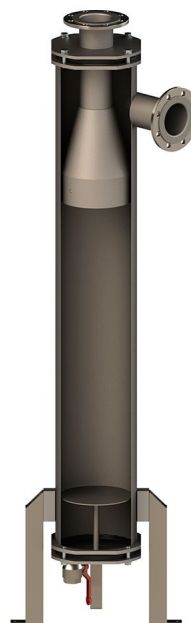
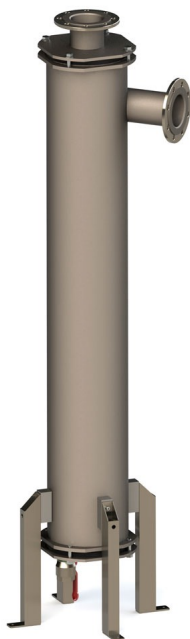
AHC filters can support flow rates of up to 2600 m^3/h (11440 US gpm), with different range of inlet/outlet flanged connections between 2" and 20".

AHC filters can be integrated with automatic drain valve.

Available 2 controllers:

- AWC Timer (preset time, IP54)
- AWC Basic controller (preset time and/or manual start, IP54, 4DI, 4AI/DI, 4DO, LCD Display 1.5")

Images:



AHC Filters

Technical Data:

Filter size - <i>Taglia filtro</i>	AHC L11/2	AHC L2	AHC L3	AHC L4	AHC L6
Inlet/outlet diameter Diametro connessioni IN/OUT	1"½ flanged EN 1092-1	2" flanged EN 1092-1	3" flanged EN 1092-1	4" flanged EN 1092-1	6" flanged EN 1092-1
Max flow rate Portata massima	20 m³/h 88 US gpm	30 m³/h 132 US gpm	70 m³/h 308 US gpm	120 m³/h 528 US gpm	280 m³/h 1232 US gpm
Min flow rate Portata minima	10 m³/h 44 US gpm	20 m³/h 88 US gpm	30 m³/h 132 US gpm	60 m³/h 264 US gpm	120 m³/h 528 US gpm
Max working pressure Pressione massima	10 bar 145 psi				
Max working temperature Temperatura massima	60 °C 140 °F				

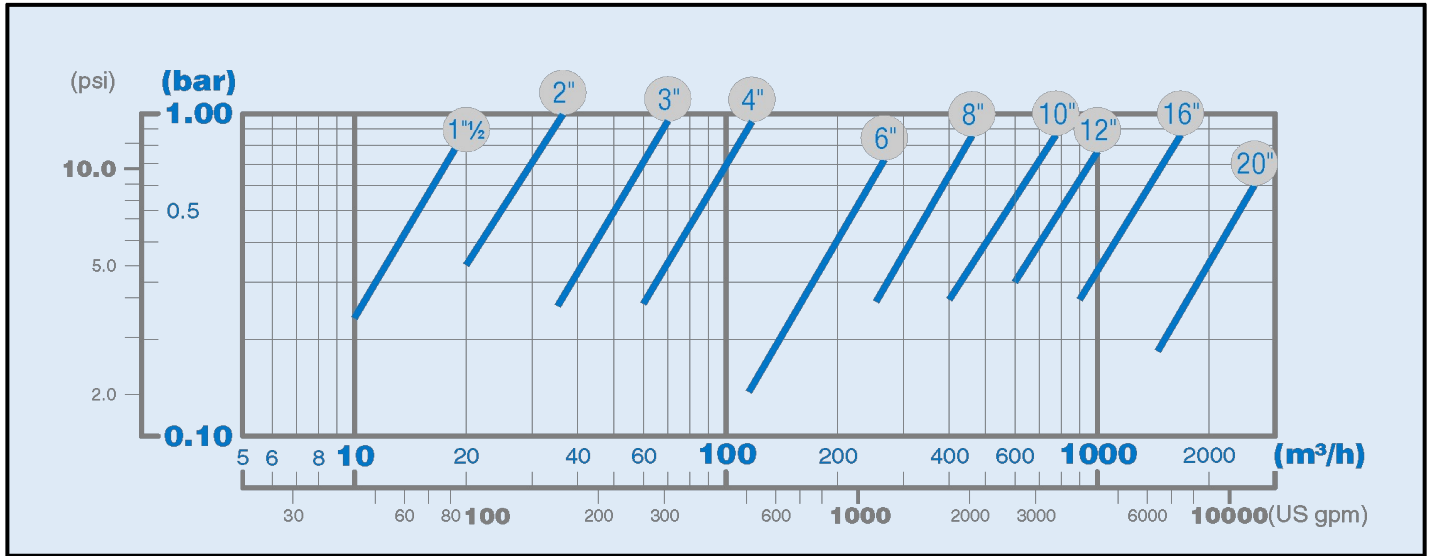
Filter size - <i>Taglia filtro</i>	AHC L8	AHC L10	AHC L12	AHC L16	AHC L20
Inlet/outlet diameter Diametro connessioni IN/OUT	8" flanged EN 1092-1	10" flanged EN 1092-1	12" flanged EN 1092-1	16" flanged EN 1092-1	20" flanged EN 1092-1
Max flow rate Portata massima	450 m³/h 1980 US gpm	750 m³/h 3300 US gpm	1000 m³/h 4400 US gpm	1600 m³/h 7040 US gpm	2600 m³/h 11440 US gpm
Min flow rate Portata minima	250 m³/h 1100 US gpm	400 m³/h 1760 US gpm	600 m³/h 2640 US gpm	900 m³/h 3960 US gpm	1400 m³/h 6160 US gpm
Max working pressure Pressione massima	10 bar 145 psi				
Max working temperature Temperatura massima	60 °C 140 °F				

Materials:

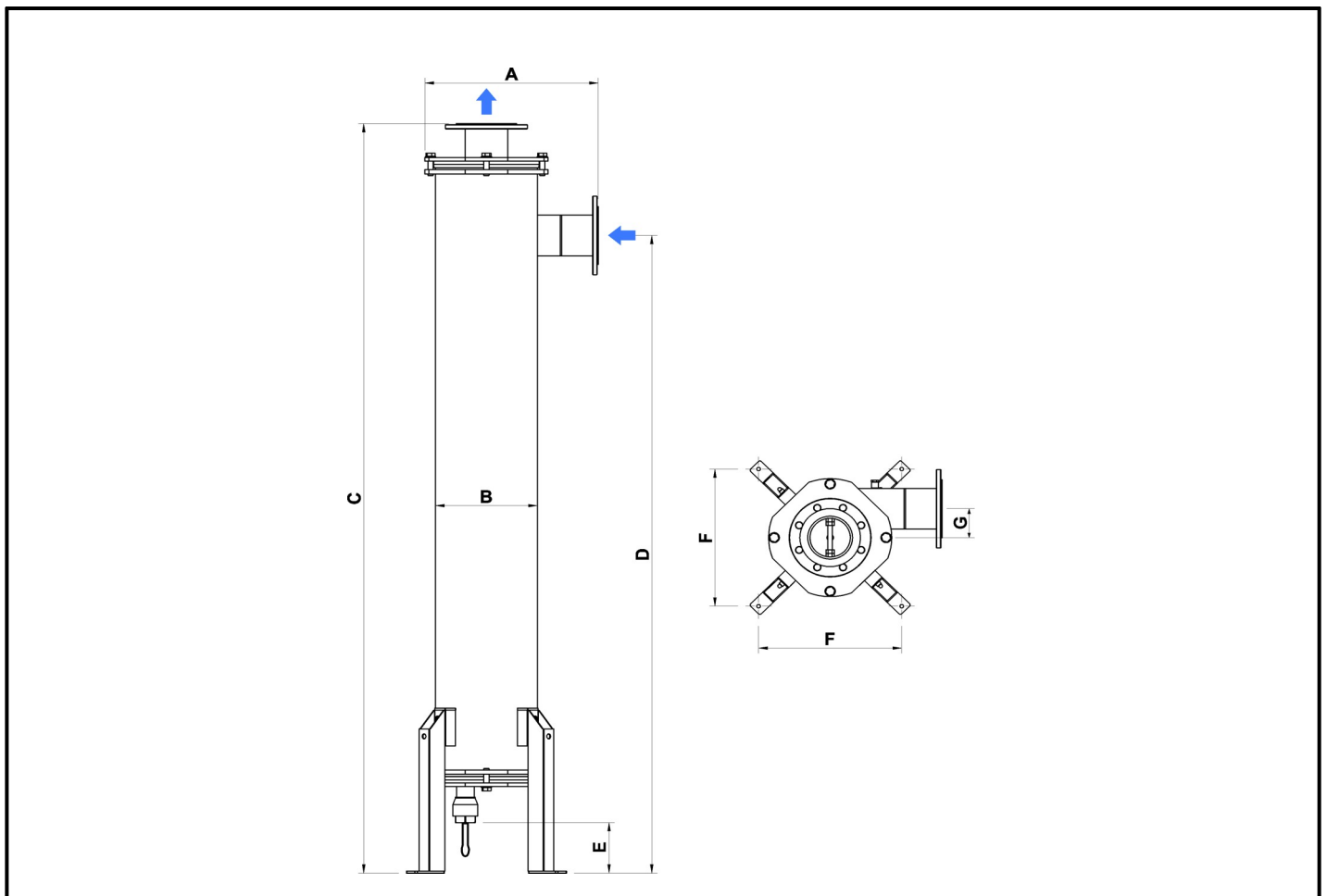
Filter Body Corpo filtro	Painted FeC / AISI 304 / AISI 316
Cover Coperchio	Painted FeC / AISI 304 / AISI 316
Body support Supporto corpo	AISI 304 / AISI 316
Gasket Guarnizioni	EPDM

AHC Filters

Head loss:



Shape L:



AHC Filters

Dimension:

Filter Model <i>Modello filtro</i>	In/Out Conn	Drain Conn	Min Flow rate [m ³ /h]	Max Flow rate [m ³ /h]	A [mm]	B [mm]	C [mm]	D [mm]	E [mm]	F [mm]	G [mm]	Weight [Kg]
AHC L1½	1"½ flg	1" thrdF	10	20	280	140	120 0	950	200	280	45	30
AHC L2	2" flg	1" thrdF	20	30	330	168	140 0	115 0	200	300	55	35
AHC L3	3" flg	1" thrdF	30	70	380	219	175 0	150 0	250	350	65	55
AHC L4	4" flg	1" thrdF	60	120	460	273	205 0	180 0	250	400	80	100
AHC L6	6" flg	2" thrdF	120	280	590	406	240 0	210 0	300	710	120	220
AHC L8	8" flg	2" thrdF	250	450	700	508	260 0	225 0	150	600	145	290
AHC L10	10" flg	2" thrdF	400	750	800	610	300 0	265 0	150	705	165	450
AHC L12	12" flg	2" thrdF	600	1000	900	711	350 0	310 0	150	810	190	550
AHC L16	16" flg	2" thrdF	900	1600	110 0	914	470 0	425 0	150	102 0	250	1100
AHC L20	20" flg	2" thrdF	1400	2600	120 0	101 6	560 0	510 0	150	112 0	250	1900

AHC Filters

