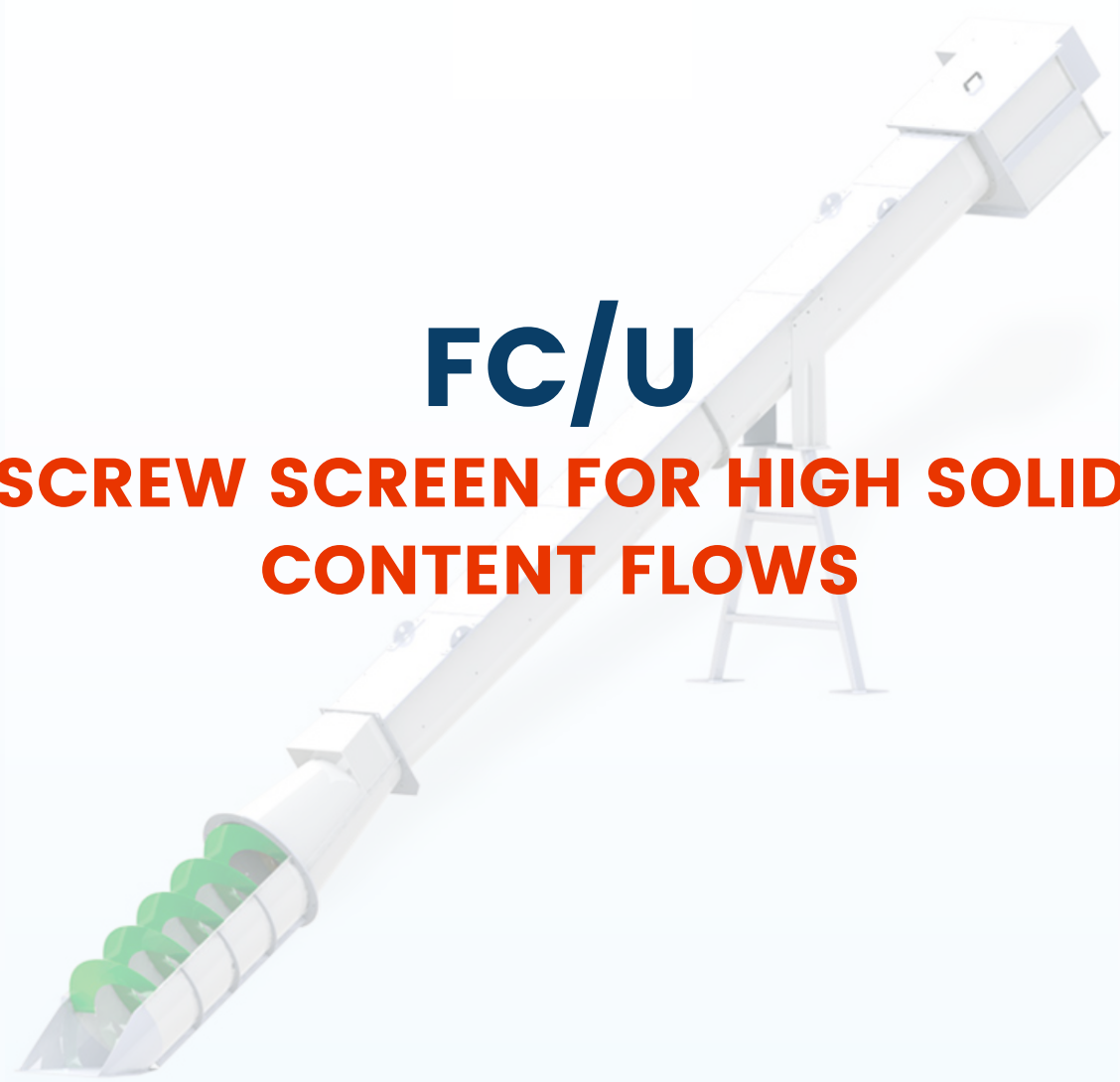




AQUA AURA
Leading Technologies



FC/U

SCREW SCREEN FOR HIGH SOLID CONTENT FLOWS

FC/U – SCREW SCREEN FOR HIGH SOLID CONTENT FLOWS

The FC/U screw screen is used for the treatment of wastewater with a significant percentage of solid to separate. Differs from the other screw screens for a section of transport realized with U-trough and a discharging section of considerable size. In the lower part is positioned the loading basket. The screw is shaft-less but greatly reinforced. The machine can be positioned inside a channel or in a special tank

Advantages

- Low speed of rotation and no intermediate supports
- Self-cleaning with brushes fit on the screw
- Low maintenance and low initial investment
- Considerable reduction of volume and weight at the end of processing (up to 35-40%)
- High percentage of solid removed

Accessories

- Loading basket side extensions
- Loading basket washing system
- Transport section washing system
- Insulation for transport section / compactor
- Speed variation manual device
- Screening bag-filling system ongoing
- Transport section extension / shortening

MANUFACTURING FEATURES

<i>Inlet flow rate</i>	<i>Up to 1100 m³/h</i>
<i>Loading basket cleaning</i>	<i>With bolted brushes</i>
<i>Conveying length</i>	<i>Variable</i>
<i>Filtering options</i>	<i>∅ 3÷ ∅ 10 mm</i>
<i>holes</i>	<i>0,25 ÷ 3 wedge wire</i>



FC/U – SCREW SCREEN FOR HIGH SOLID CONTENT FLOWS

Technical details

FC/U	A mm	B mm	C mm	D mm	G mm	L mm	kW	rpm
40	5100	3400	1500	800	690	3320	1,5	18
50	5100	3400	1500	800	820	3320	1,5	18
60	5620	3800	1890	800	900	3750	3	18
70	8200	5550	2370	2150	1050	6170	3	18

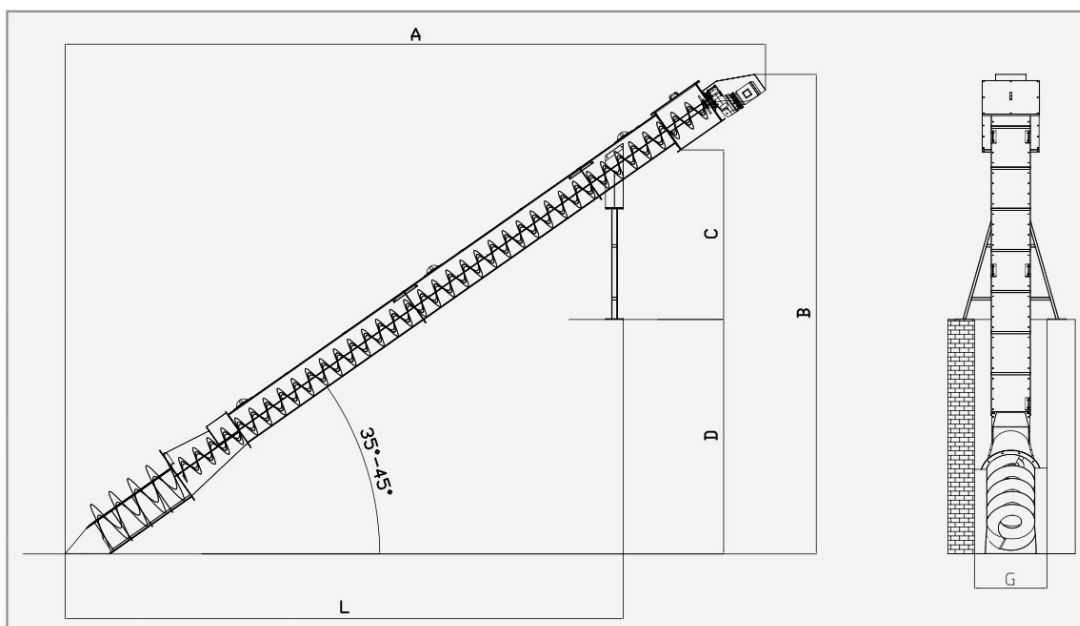
Based on machine configuration, motor power could be different

Theoretical flow rate table

FC / U mm	40	50	60	70
	m ³ /h			
ww 0,25	75	115	180	220
ww 0,5	95	170	300	340
ww 1	135	252	350	430
ww 2	145	303	430	580
ww 3	187	340	505	730
Ø 3	158	320	502	690
Ø 4	218	360	528	756
Ø 5	259	390	612	830
Ø 6	288	430	630	850
Ø 7	310	468	730	905
Ø 10	333	495	790	970

ww = WEDGE WIRE SCREEN
 Ø = PERFORATED SCREEN

data here listed are calculated
 using clear water



FC/U – SCREW SCREEN FOR HIGH SOLID CONTENT FLOWS



AQUA AURA
Leading Technologies

Aqua Aura Limited
info@aquaura.net
www.aquaura.net

