

Pre-treatment unit



AQUA AURA
Leading Technologies



GDE-GDE/D

PRE-TREATMENT COMBINED UNIT

GDE-GDE/D – PRE-TREATMENT COMBINED UNIT

The GDE/D model performs: screening, sand removal, fat and grease manual removing.

GDE o GDE/D could be supplied in 2 models:

CLS sand classifier + FCP/C screw screen in tank, with perforated rounded or wedge wire profile.

CLS sand classifier + GRR drum filter, with wedge wire profile.

Based on the chosen model, pre-treatment combined unit, you can get (it will be possible to get) a different type of screening.

The sewage goes through the screening section for the solid parts removal.

Then the sewage falls down a decantation tank where the particles go down. Here an extraction spiral removes them.

Advantages

- Odor-free
- No clogging
- Low maintenance and operation costs
- Low room needed
- No construction works needed
- Easy to install and operate
- Very low residual organic content in the washed out solid
- Volume reduction (up to 40%) of the washed out solid
- Sand removal: $\geq 90\%$ of particles up to 200 μ

Functions

- Screening
- Washing/compacting of solid removed
- Sand/grit separation
- Degreasing

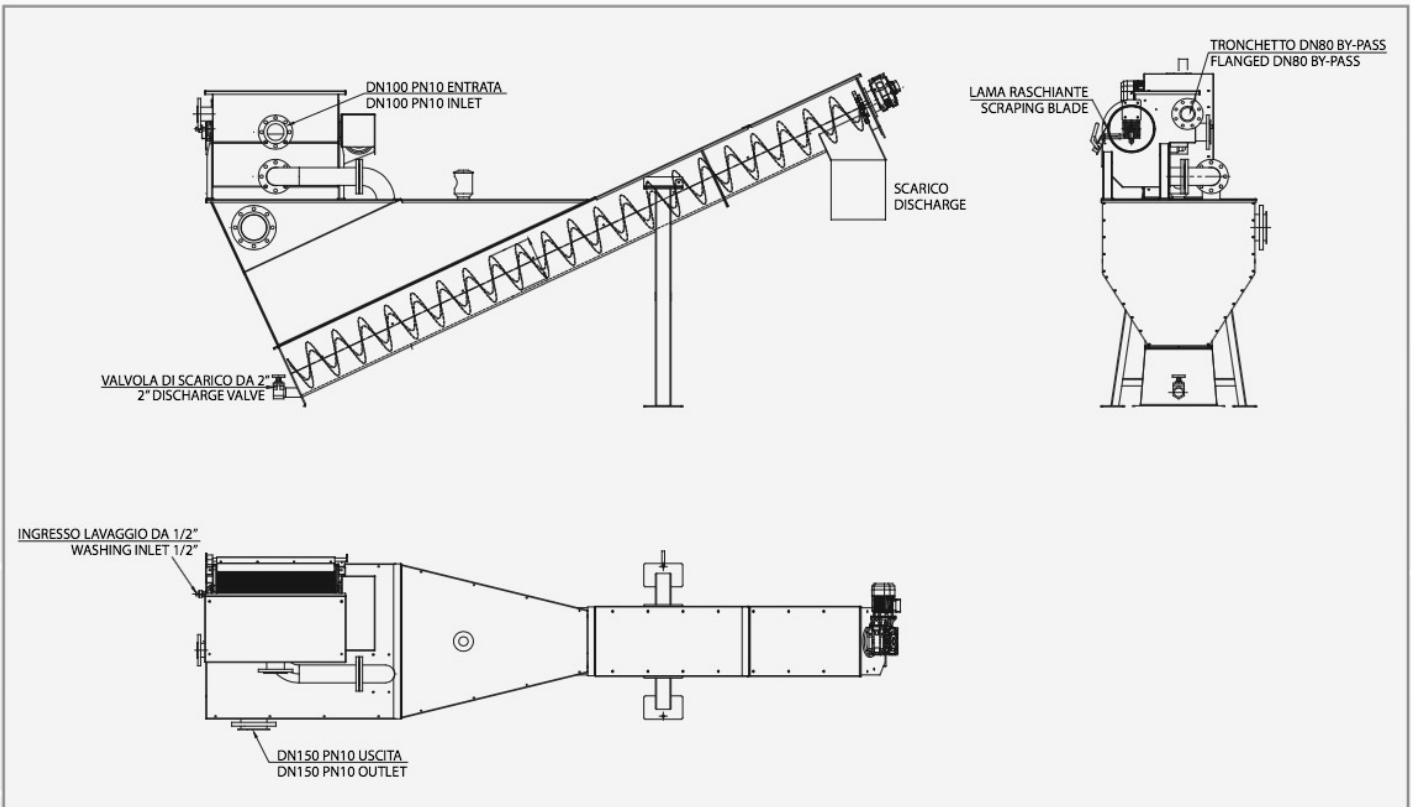
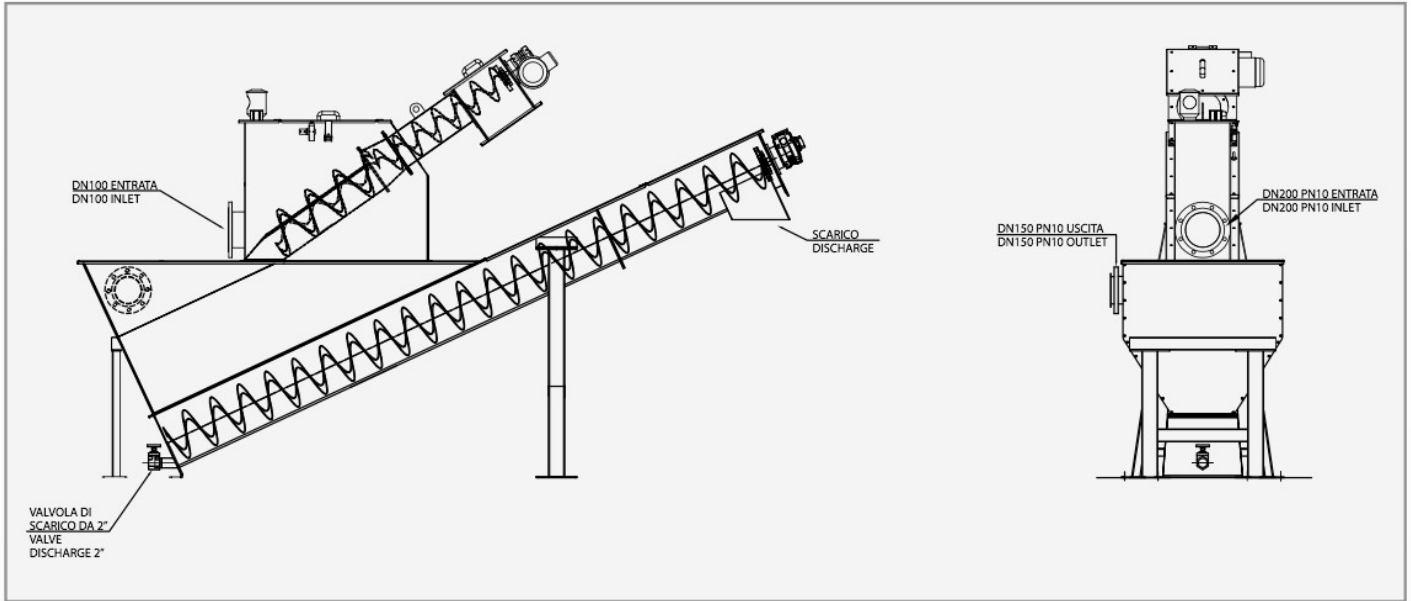
Applications

- Municipal sewage
- Industrial wastewater treatment

MANUFACTURING FEATURES

<i>Building material</i>	<i>External structure: stainless steel AISI304L/AISI316L Screw: HSS carbon steel or ss AISI 304L/AISI316L</i>
<i>Flow rate range</i>	<i>6 l/s</i>
<i>Inlet pipe</i>	<i>Flanged</i>

GDE-GDE/D - PRE-TREATMENT COMBINED UNIT



GDE-GDE/D - PRE-TREATMENT COMBINED UNIT

