

Lime preparation system



AQUA AURA
Leading Technologies



IDC – LIME DOSING SYSTEM

IDC silo storage and dosing of lime model is used in drinking water treatment plants, wastewater and industrial applications. The most frequent use of the system is for the dissolution and the preparation of emulsion of lime or with systems of compound for the dehydration or conditioning of sludge. The silos, vertical cylindrical and conical bottom, are made of carbon steel welded and supported by metal structures in relation to the size of each silo. The finishing exterior is sandblasting SA 2 1/2, a layer of insulation and a layer of finish.

OPERATION

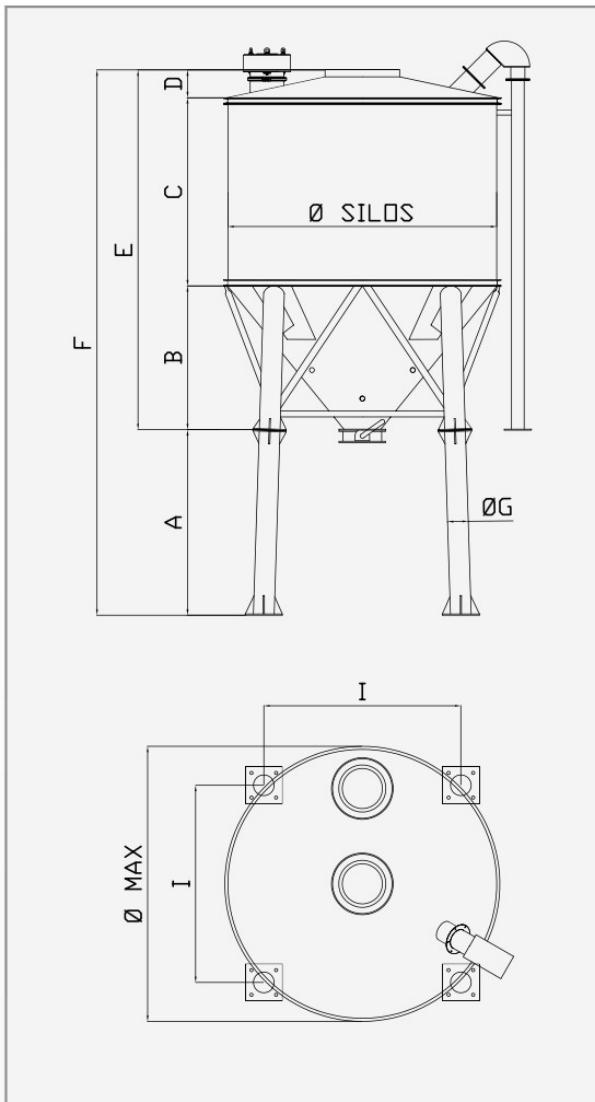
The lime is charged via the special piping flanged placed at the base of the silos in concomitance with the starting of the dust exhaust filter at the top. The filter is of the type with cartridges specific material for such products. The silos are at least three indicators of the level to indicate the fill level. At the base of the silos can be used two systems of descent of the product to avoid blocking of the material, one by means of special nozzles of shaking compressed air, the other with a conical bottom vibrant through electro vibrator. Finally we have the dosing and conveying screw of lime. The inclination of operation is 40° max., the type of dosage is volumetric and is done by a motovariator.



IDC – LIME DOSING SYSTEM

Technical details

	SILO m ³	Ø SILO mm	Ø MAX mm	A mm	B mm	C mm	D mm	E mm	F mm	Ø G mm	I mm
IDC 10/20	10	2000	2080	1500	1100	3000	270	4370	5870	1320	1320
IDC 16/20	16	2000	2080	1500	1100	4500	270	5870	7370	1320	1320
IDC 22/24	22	2380	2460	1500	1300	4500	310	6110	7610	1598	1598
IDC 29/24	29	2380	2460	1500	1300	6000	310	7610	9110	1598	1598
IDC 36/24	36	2380	2460	1500	1300	7500	310	9110	10610	1598	1598
IDC 43/24	43	2380	2460	1500	1300	9000	310	10610	12110	1598	1598
IDC 50/24	50	2380	2460	1500	1300	10500	310	12110	13610	1598	1930
IDC 60/28	60	2800	3000	1500	1620	9000	370	10990	12490	1930	1930
IDC 80/30	80	3000	3000	1500	1620	12000	370	13990	15490	1930	1930
IDC 100/30	100	3000	3000	1500	1620	13500	370	15490	16990	1930	1930



IDC – LIME DOSING SYSTEM



AQUA AURA
Leading Technologies

Aqua Aura Limited
info@aquaura.net
www.aquaura.net

