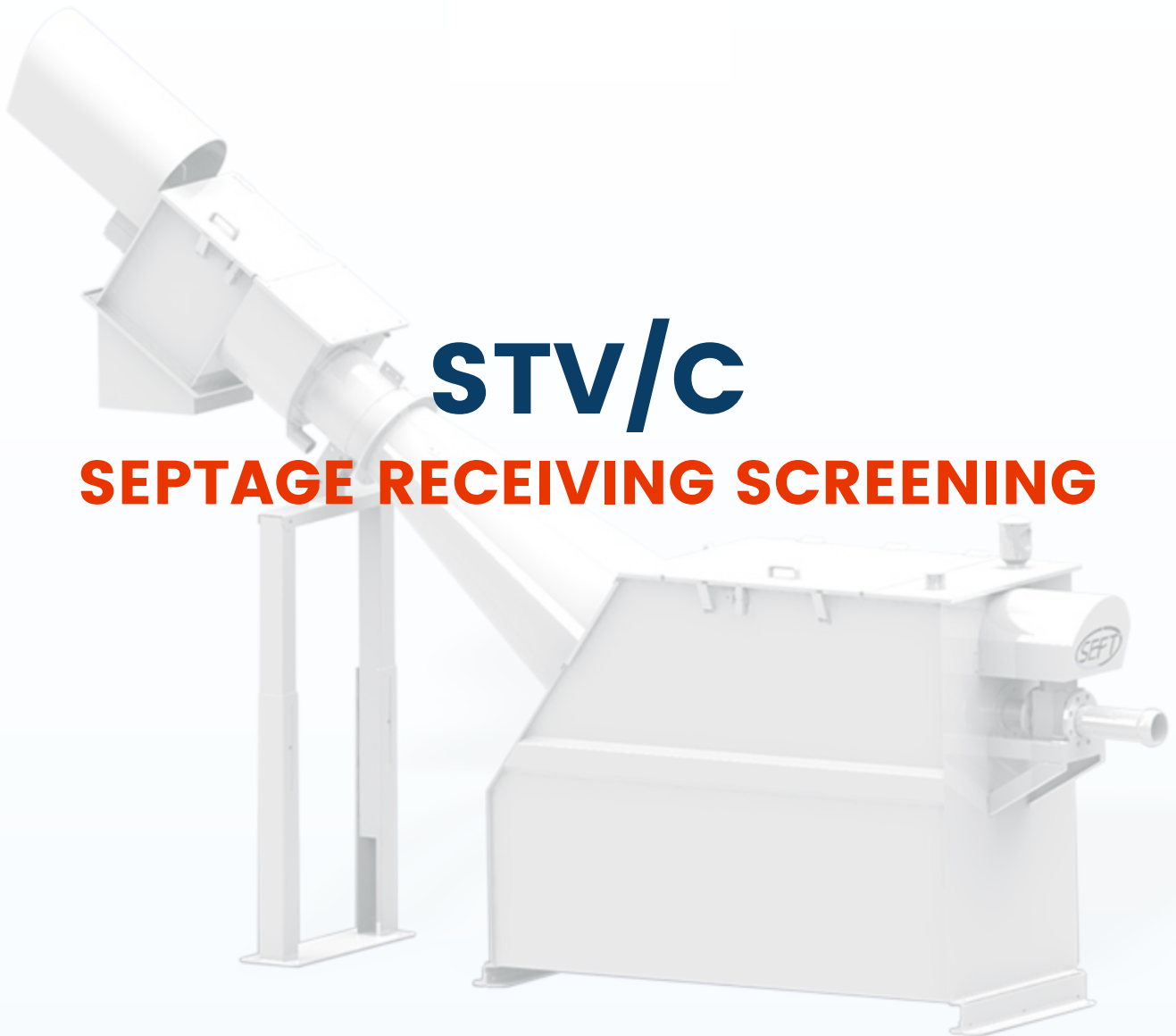


# Pre-treatment unit



**AQUA AURA**  
Leading Technologies



**STV/C**

**SEPTAGE RECEIVING SCREENING**

# STV/C – SEPTAGE RECEIVING SCREENING

STV/C is a unit compact able to carry out the pre-treatment of screening of wastewater from industrial processes of various types. Before they are released in wastewater treatment plants.

The entrance is equipped with a quick attack (Perrot type) and an electromechanical valve.

The wastewater discharged directly from the tanker, is filtered by a screw screen that removes the solids that are then drained and compacted and then discharged into a bin or bagged.

SEPTAGE RECEIVING SCREENING – STV/C FUNCTIONS ARE:

- Filtration
- Drainage/compaction of the solid removed

## Advantages

- No odor
- No obstructions
- Low operating costs and maintenance
- Compact machine
- Construction work is not necessary
- Low residual content of organic matter
- Reduction of up to 40% by volume of the solid removed
- No pumps

### MANUFACTURING FEATURES

<i>Inlet flow rate</i>	up to 100 m <sup>3</sup> /h
<i>Filtering options</i>	Ø 3 ÷ Ø 7 mm foro holes



# STV/C - SEPTAGE RECEIVING SCREENING

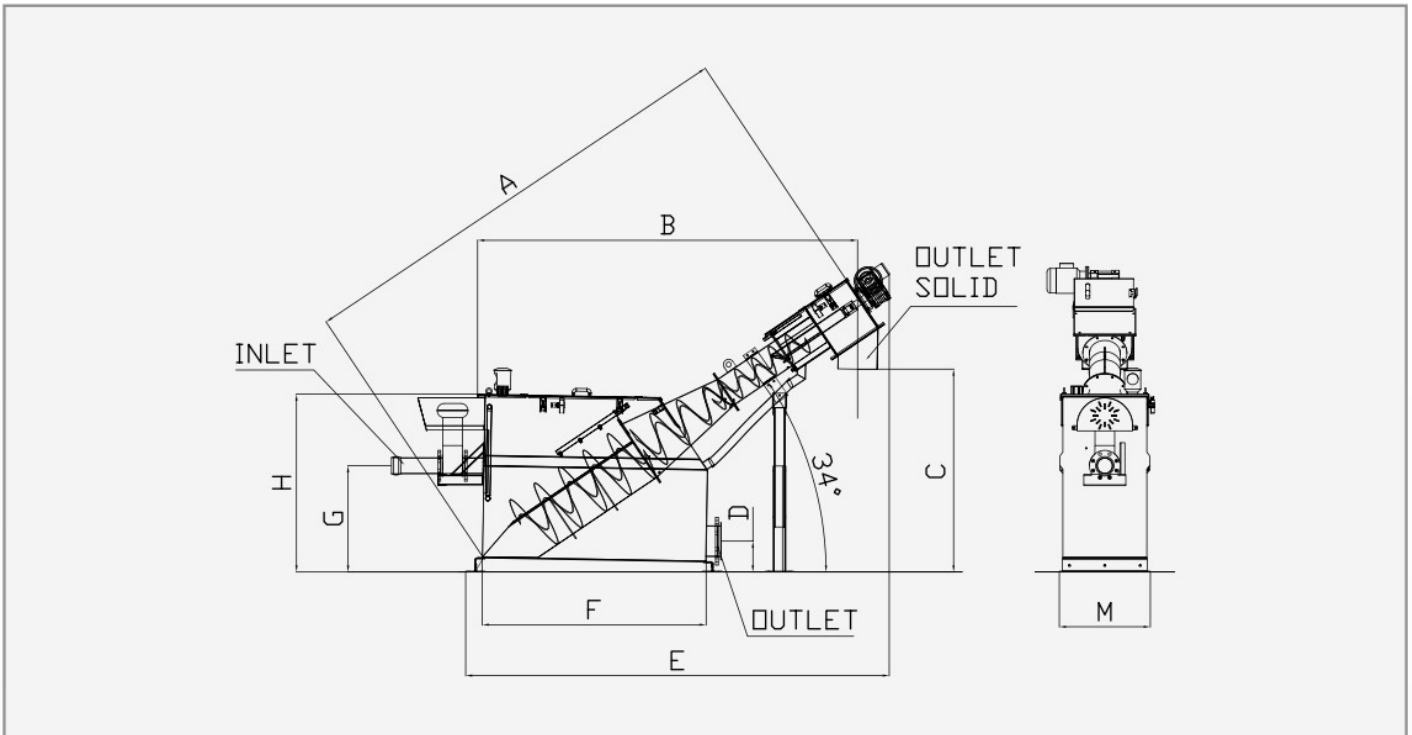
## Technical details

Model	A mm	B mm	C mm	D mm	E mm	F mm	G mm	H mm	ØI mm	ØL mm	M mm	Weight Kg
STV/C 50	3550	2800	1500	220	3050	1600	758	1280	219	273	680	630
STV/C 75	4000	3290	1750	220	3750	1750	957	1440	323	323	810	780
STV/C 100	4510	3650	1950	220	4050	2000	1140	1600	323	323	856	940

Based on machine configuration, motor power could be different

Model	SCREEN	kw SCREEN	kw VALVE	m <sup>3</sup> /h FLOWRATE	INLET	OUTLET
STV/C 50	FCP 50	1,10	0,18	50	DN 100	DN 200
STV/C 75	FCP 60	0,75	0,18	75	DN 100	DN 200
STV/C 100	FCP 70	0,75	0,18	100	DN 100	DN 200

Data here listed are calculated using clear water



# STV/C - SEPTAGE RECEIVING SCREENING



Aqua Aura Limited  
info@aquaura.net  
www.aquaura.net

